

INDUSTRIAL GASOLINE/LPG/NATURAL GAS ENGINE

KUBOTA WG SERIES (4-cylinder)

WG1605-G/L/N-E3

RATED POWER

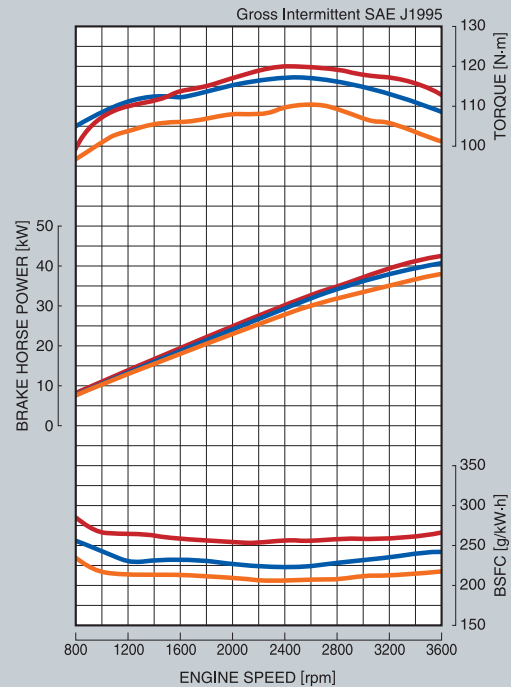
- 42.5kW @ 3600rpm(GASOLINE)
- 41.0kW @ 3600rpm(LPG)
- 38.4kW @ 3600rpm(NATURAL GAS)



This engine models is also available with Dual Fuel / Multiple Fuel.

Dual Fuel Version Shown.

PERFORMANCE CURVES



FEATURES and BENEFITS

Emission

Kubota's WG1605-G/L/N-E3 engine have been designed to comply with the most stringent emission regulations: EPA Tier 2 and CARB Tier 3.

Fuel Flexibility

Installation compatibility between SI and CI engines is a good solution for customers who need fuel flexibility for their products. The Kubota WG1605 has version of not only gasoline, LPG and natural gas but also dual or multiple fuel version. We have options of:

- Gasoline and LPG
- LPG and natural gas
- Gasoline, LPG and natural gas.

Durability and Reliability

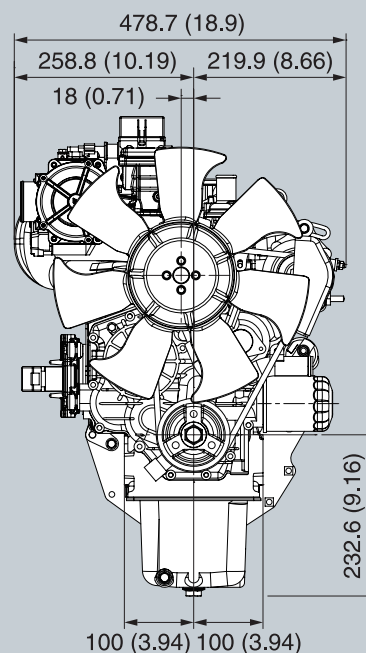
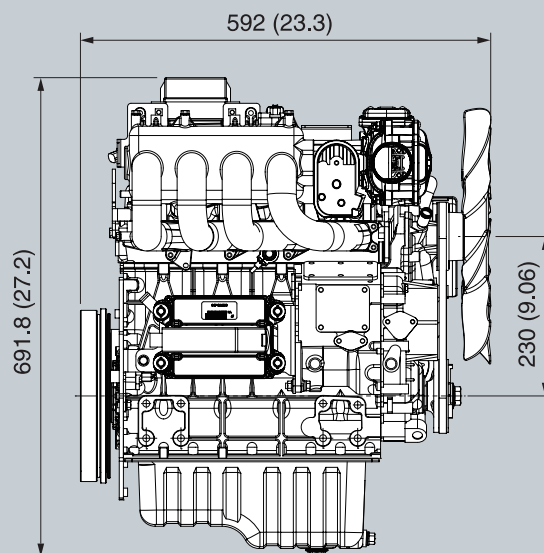
Kubota's WG1605 SI engines are designed after the Kubota 05 Series diesel (CI) engines and similar performance to the turbo diesel engines, which are known worldwide as reliable industrial engines. The new WG1605 engines offers very low vibration and is exceptionally quiet.

KUBOTA WG SERIES WG1605-G/L/N-E3

GENERAL SPECIFICATIONS

Model		WG1605-G-E3	WG1605-L-E3	WG1605-N-E3	
Emission Regulation		EPA Tier 2, CARB Tier 3			
Type		Vertical 4-cycle Liquid Cooled Engine			
		Gasoline use	LPG use	Natural gas use	
Number of Cylinders		4			
Bore	mm (in)	79.0 (3.11)			
Stroke	mm (in)	78.4 (3.09)			
Displacement	L (cu.in)	1.537 (93.79)			
Fuel		Unleaded gasoline	Commercial LPG	Natural gas	
Aspiration		Naturally Aspirated			
Maximum Speed	rpm	3600			
Output: Gross Intermittent SAE J1995		kW	42.5	41.0	38.4
		HP	57.0	55.0	51.5
		ps	57.7	55.7	52.2
Direction of Rotation		Counter clockwise viewed from flywheel side			
Oil pan capacity	L (u.s.gal)	6.0 (1.6)			
Starter Capacity	V-kW	12-1.0			
Alternator Capacity	V-A	12-40			
Length	mm (in)	592 (23.3)			
Width	mm (in)	478.7 (18.9)			
Height	mm (in)	691.8 (27.2)			
Dry Weight	kg (lb)	119 (262.3)	120 (264.6)	120 (264.6)	

DIMENSIONS



Dual Fuel Version Shown.

*Specification is subject to change without notice.
 *Dimensions and dry weight are according to Kubota's standard specifications.
 Dimensions and weight depend on completed specifications.
 *LPG: Commercial liquid propane gas only. Equivalent to propane HD-5 of GPA standards.
 *Natural gas: The performance shown is with Japanese standard natural gas.
 The lower heating value: 9699 kcal/m³ (1090 BTU/ft³)



KUBOTA Engine America Corporation

505 Schelton Road, Lincolnshire, IL 60069
 Phone: 847-955-2500 Fax: 847-955-2699
www.kubotaengine.com